



FD9389-EHTV-v2

Fixed Dome Network Camera

5MP • H.265 • WDR Pro • Smart Stream III • SNV

- 30 fps @ 2560x1920, 60 fps @ 1920x1080
- WDR Pro (120 dB) for Improved Visibility in High Contrast Scenes
- Built-in IR illuminators, Effective up to 30 meters
- Smart IR Technology to Avoid Overexposure
- Trend Micro IoT Security
- Vandal-proof IK10-rated, Weather-proof IP66-rated Housing
- 2.8 ~ 10mm Motorized Lens





Technical Specifications

System Information

| | |
|-------|---------------------------------|
| Model | FD9389-EHTV-v2 |
| CPU | Multimedia SoC (System-on-Chip) |
| Flash | 8 GB |
| RAM | 1 GB |

Camera Features

| | |
|-------------------------------|---|
| Image Sensor | 1/2.7" Progressive CMOS |
| Max. Resolution | 2560x1920 (5MP) |
| Lens Type | Motorized, Vari-focal, Remote Focus |
| Focal Length | f = 2.8 ~ 10 mm |
| Aperture | F1.8 ~ F2.74 |
| Iris Type | Fixed iris |
| Field of View | 95° ~ 41° (Horizontal) 69° ~ 31° (Vertical) 127° ~ 51° (Diagonal) |
| Shutter Time | 1/5 sec. to 1/32,000 sec. |
| WDR Technology | WDR Pro |
| Day/Night | Yes |
| Removable IR-cut Filter | Yes |
| IR Illuminators | Built-in IR illuminators, effective up to 30 meters with Smart IR, IR LED*4 |
| Minimum Illumination | 0.06 lux @ F1.8(Color) 0.01 lux @ F1.8 (B/W) 0 lux with IR illumination on |
| Pan Range | >350° |
| Tilt Range | 80° |
| Rotation Range | ±175° |
| Pan/Tilt/Zoom Functionalities | ePTZ: 48x digital zoom (4x on IE plug-in, 12x built-in) |
| Storage | Seamless Recording to MicroSD/SDHC/SDXC card (1TB capacity supported) and recording to network-attached storage (NAS) |
| Built-in Installation Aids | Remote focus, remote zoom |

Video

| | |
|--------------------|---|
| Video Compression | H.265, H.264, MJPEG |
| Maximum Frame Rate | 30 fps @ 2560x1920 60 fps @ 1920x1080 |
| Maximum Streams | 3 video streams (Up to 8 configurable profiles) |
| S/N Ratio | 55 dB |
| Dynamic Range | 120 dB |
| Video Streaming | Adjustable resolution, quality and constant bit rate control, Smart Stream III |
| Image Settings | General settings: video title and time stamp overlay, video orientation (flip, mirror, rotation), day/night settings; Illuminators: illuminators, anti-overexposure; Image settings: white balance, image adjustment (brightness, contrast, saturation, sharpness, gamma curve), defog, 3DNR, EIS, scene mode (auto, deblur); Exposure: BLC, HLC, exposure control(exposure level, iris adjustment, exposure time, gain control, iris mode), AE speed adjustment, WDR; Focus: zoom, focus; Privacy mask; Scheduled profile settings |

Audio

| | |
|-------------------|---------------------|
| Audio Capability | One-way Audio |
| Audio Compression | G.711, G.726 |
| Audio Interface | Built-in microphone |
| Effective Range | 5 meters |

Network

| | |
|-------|-----------------------------------|
| Users | Live viewing for up to 10 clients |
|-------|-----------------------------------|



| | |
|-----------|--|
| Security | Access list, digest authentication, HTTPS , IEEE 802.1x, Password protection, secure boot, signed firmware, Trend Micro IoT Security (brute force attack event, cyberattack event, quarantine event), user access log, user account management |
| Protocols | 802.1X, ARP, Bonjour, CIFS/SMB, DDNS, DHCP, DNS, FTP, HTTP, HTTPS, ICMP, IGMPv3, IPv4, IPv6, NTP, PPPoE, QoS (CoS/DSCP), RTSP/RTP/RTCP, SMTP, SNMP, SSL, TCP/IP, TLS 1.2, UDP, UPnP |
| Interface | 10 Base-T/100 Base-TX Ethernet (RJ-45) *It is highly recommended to use standard CAT5e & CAT6 cables which are compliant with the 3P/ETL standard. |
| ONVIF | Profile G, S, T supported, specification available at www.onvif.org |

Solution Integration

| | |
|------------------------|--|
| Smart Motion Detection | Five-window video motion detection, human detection, time filter (Without bounding box) |
| Smart VCA | Intrusion detection, loitering detection, line crossing detection, unattended object detection, missing object detection, face detection, crowd detection, running detection |
| VADP Package | Deep Learning VCA (Smart Motion Detection, Smart VCA*), Trend Micro IoT Security (3-year free trial) *License required. Free trial license is not supported. |

Alarm and Event

| | |
|---------------|--|
| Event Trigger | Audio detection, camera tampering detection, cybersecurity events (brute force attack event, cyberattack event, quarantine event), manual trigger, motion detection, periodical trigger, recording notification, SD card life expectancy, shock detection, system boot |
| Event Action | Event notification via camera link, email, HTTP, FTP/SFTP, NAS server, SD card File upload via email, HTTP, FTP/SFTP, NAS server, SD card |

General

| | |
|-----------------------|---|
| Connectors | RJ-45 cable connector for 10/100Mbps Network/PoE connection |
| LED Indicator | System power and status indicator |
| Power Input | IEEE 802.3af PoE Class 0 |
| Power Consumption | Max: 12.3W (IR on) Max: 9.9W (IR off) |
| Dimensions | Ø 129 x 94 mm |
| Weight | 610 g |
| Certifications | EMC: CE (EN55032, EN55024 Class A, EN50121-4), FCC (FCC Part 15 Subpart B Class A), RCM (AS/NZS CISPR32 Class A), VCCI (VCCI-CISPR 32 Class A); Safety: UL (UL62368-1), CB (IEC/EN 62368-1, IEC/EN 60950-22, IEC/EN 62471); Environment: IK10 (IEC 62262), IP66 (IEC 60529); IA: BIS (IS 13252), BSMI (EMC: CNS 13438, Safety: CNS 14336-1) |
| Operating Temperature | Starting Temperature: -30°C ~ 50°C (-13°F ~ 122°F) Working Temperature(IR on): -40°C ~ 60°C (-40°F ~ 140°F) (IR off) -40°C ~ 50°C (-40°F ~ 122°F) (IR on) |
| Humidity | 98% RH (non-condensing) |
| Warranty | 36 months |

System Requirements

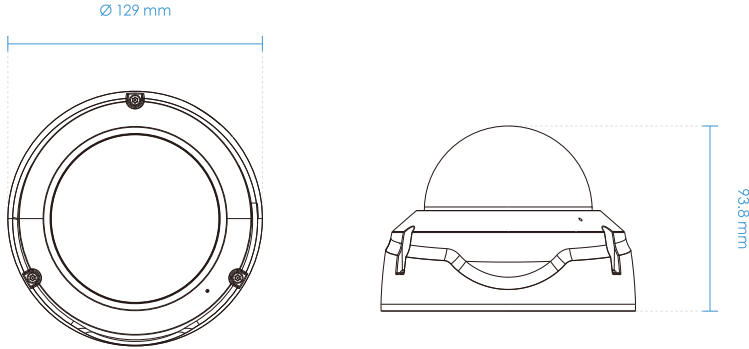
| | |
|------------------|---|
| Operating System | Microsoft Windows 10/8/7 Mac 10.12 (Chrome only) |
| Web Browser | Chrome 58.0 or above Internet Explorer 10/11 |
| Other Players | VLC: 1.1.11 or above |

Included Accessories

| | |
|------------------|---|
| Packing Contents | Quick installation guide, alignment sticker, screw pack |
|------------------|---|



Dimensions



Compatible Accessories

Mounting Kits



AM-21A
L-shape Bracket

Mounting Kits



AM-51D
Adapting Plate

Mounting Kits



AM-528
Mounting Adapter

Mounting Kits



AM-71B
Waterproof Conduit Box



All specifications are subject to change without notice. Copyright©VIVOTEK INC. All rights reserved. Ver. 2