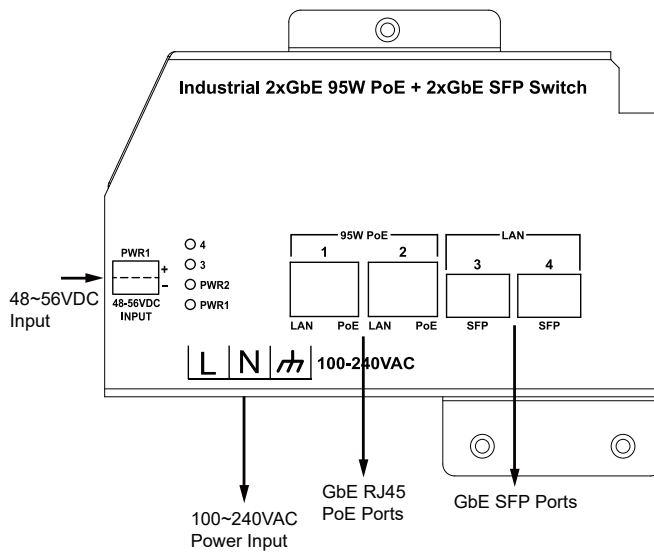


PACKAGE CONTENTS

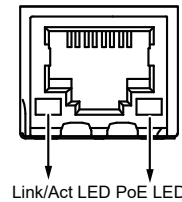
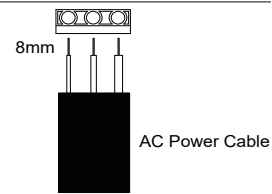
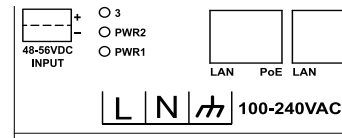
* 1x PoE switch	* 1x Quick Installation Guide
* 1x T25 L-wrench	

⚠ IMPORTANT:

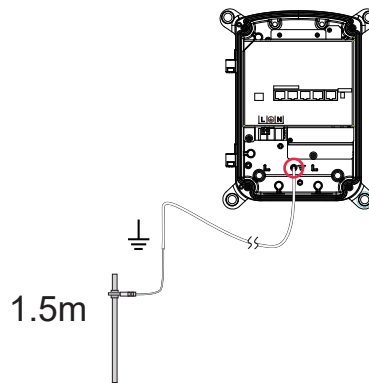
1. Install the PoE switch in a ventilated and dry place that is free of electromagnetic source, vibration, moisture, and dust.
2. Make sure the ventilation openings on the switch are not blocked.
3. Use CAT5 or 5e UTP/STP cables.
4. AC input (100~240V/AC, 50~60HZ).
5. IP67 rated housing.
6. Although housing is IP67 rating, this is not suitable for water jets.

CONNECTION

AC Power Cable Specifications

Wire Size	10~18AWG
Wire Strip Length	8mm


⚠ IMPORTANT:

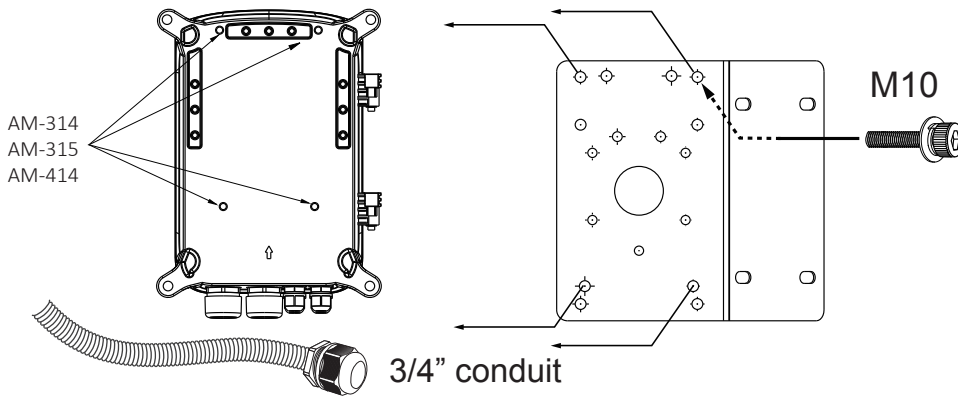
The cabinet must be grounded using a ground wire between the ground screw and earth ground.


LED DEFINITIONS

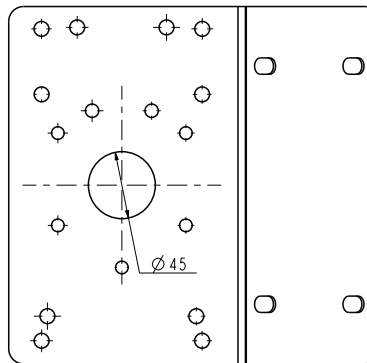
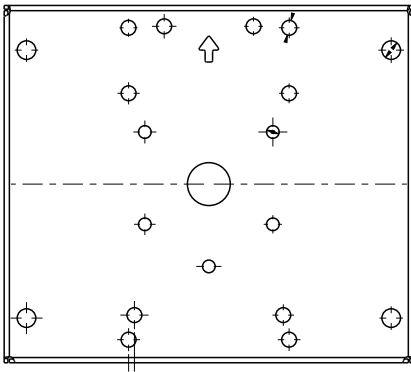
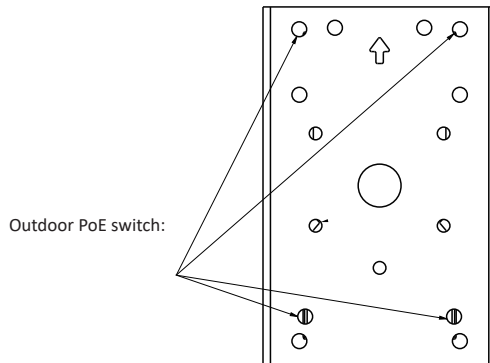
Power PW1/PW2	Green ON	Power is on and normal.
SFP port Green	Green ON	Fibre is attached.
	Green Flashing	Data is being transmitted/received.
LAN ports Green	Green ON	TX link is detected.
	Green Blinking	Data is being transmitted/received.
PoE ports Amber	Amber ON	PSE is activated and PD is detected.
	Amber Off	PoE is off.

INSTALLATION

Use the included M10 hex socket screws to secure the power box to a pole-mount or corner mount bracket.



The mounting hole definition is illustrated below. The same mounting hole pattern apply to all pole-mount and corner-mount brackets.



All specifications are subject to change without notice.
Copyright © 2020 VIVOTEK INC. All rights reserved.