

Installation Guide

Rev. 1.0

Revision History:

Rev. 1.0: Initial release;

Corresponding ordering part numbers:

| | |
|-------------------------------|----------------------|
| AM-312_V03_60MM: VIO900000015 | AM-714: VIO100134800 |
| AM-218: VIO100146100 | AM-719: VIO100184500 |

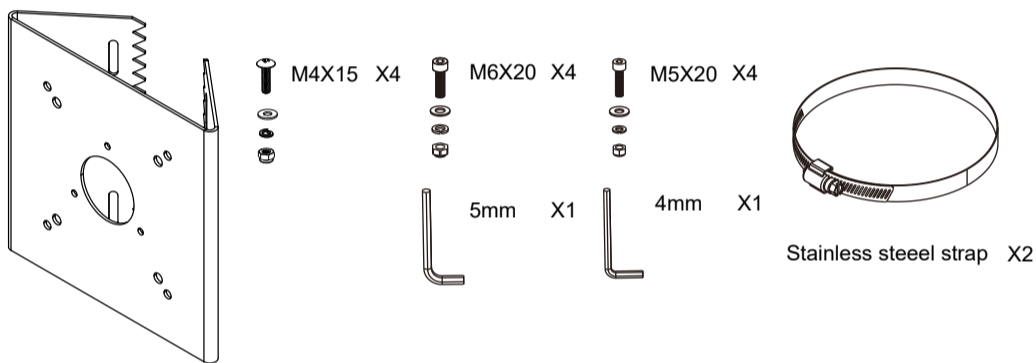
Compatible VIVOTEK Cameras

| Compatible brackets | Supported Cameras |
|----------------------------|--|
| AM-714 | IB9371-EHT/HT, IB9391-EHT |
| AM-719 | IB9371-(E)HT, IB9365-(E)HT, IB9365-(E)HT-A, IB9367-(E)H(T), IB8377-(E)HT, IB9391-EHT, IB9387-(E)H(T), IB9387-(E)HT-A |
| AM-218 (via AM-714/AM-719) | Please refer to AM-218, AM-520, and AM-525 documents. |
| Directly attached | IB9365-EHT-A, IB9365-EHTV-v2, IB9367-(E)H(T), IB9367-EHT-v2 (5-50MM), IB9367-EHT-v2, IB9380-H, IB9387-(E)HT-A, IB9388-HT, IB9389-(E)H(M)(T), IB9389-EH(T)-v2, IB9391-EHT, IB9391-EHTV-v2, MS8391-EV, MS9390-HV, TB9330-E, TB9331-E, MS9321-EHV |

* The directly-attached configuration is less recommended for the lack of waterproof and cabling protection. If directly attached, you should properly wrap the rear-end cables and connectors with waterproof protection such as putties.

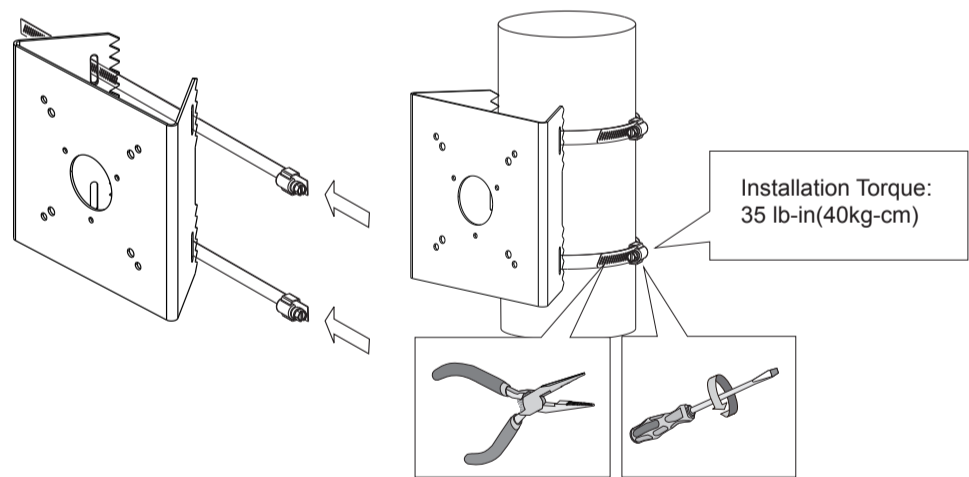
Package Contents

| | |
|-------|---|
| Items | 1. Pole mount bracket, 2. Stainless strap x2, 3. M6X20mm screws x4. 4. M5X20mm screws x4, 5. Hex L wrench 5mm x1, 6. Hex L wrench 4mm x1, 7. M4x15 screws x4. |
|-------|---|



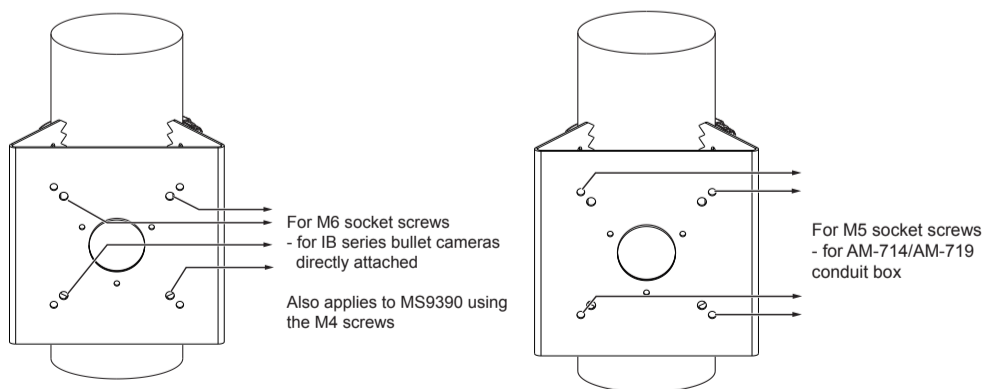
Installation

Below is a general, sample procedure using a Pole mount bracket:
 1. Pass the stainless steel straps through the bracket and around the pole.
 2. Tighten the straps using a pincer plier and a flat blade screwdriver.

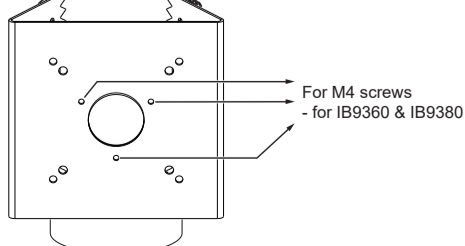


3. The 4 screw holes in the center are used for directly mounting the IB series bullet cameras.

The 4 screw holes at the edges are used for mounting the AM-714 conduit box.

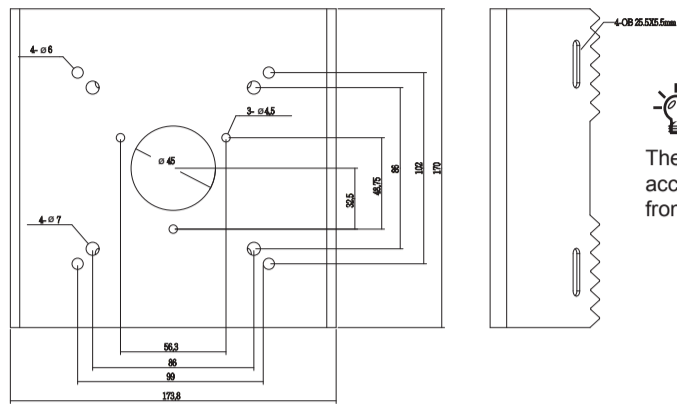
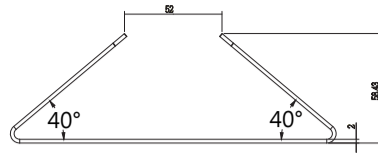


The 3 screw holes in the center are used for mounting the IB8367A, IB8369A, IB8377-H, IB8379-H bullet cameras.

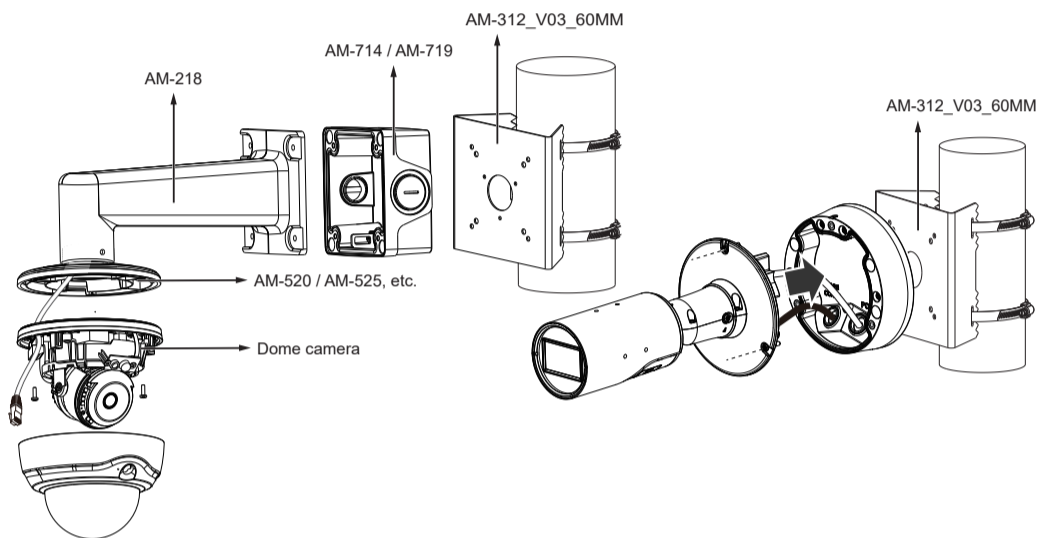


Mechanical Drawings

AM-312_V03_60MM Pole mount bracket

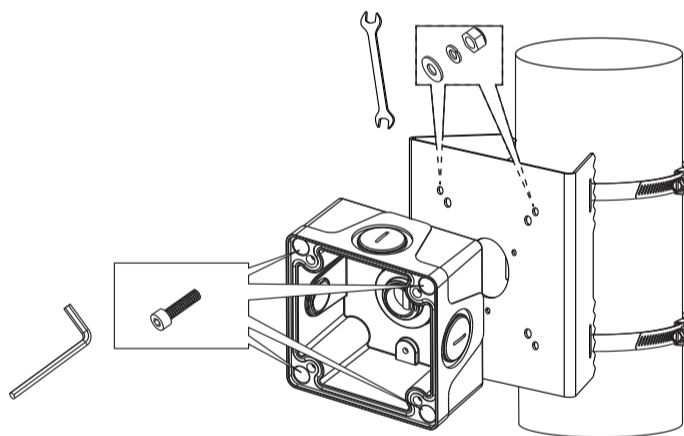


AM-312_V03_60MM Applications



- Make sure you have purchased the adequate accessories to be combined for your installation.
- **Please do not install an indoor camera in an outdoor environment! Doing so will void our warranty.** This is determined by whether the camera housing is weather-proof.
- Direct sunlight can tremendously increase the temperature within the device.

4. Secure the AM-714 / AM-719 conduit box to bracket using the M5 screws, washers, and hex heads. A hex crescent wrench is required.



5. For the rest of the installation procedure, refer to the documentation that came with the AM-714, AM-719, AM-218, and the other accessories.

The 3/4" cable glands and conduits for protecting cables are user-supplied.

Below are the corresponding mount holes for the MS9390-HV.

