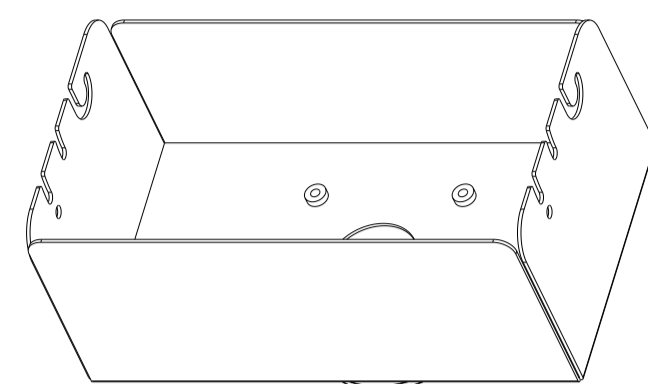
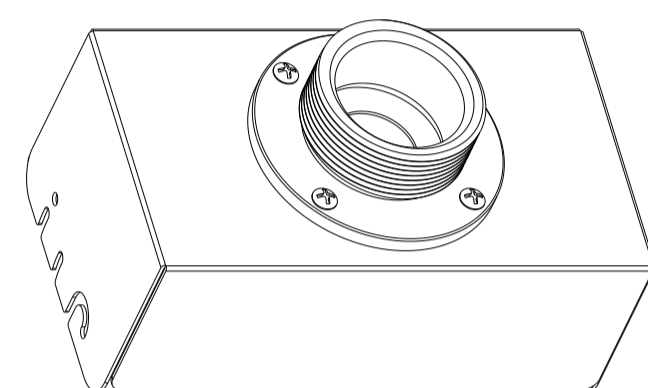


機密/CONFIDENTIAL

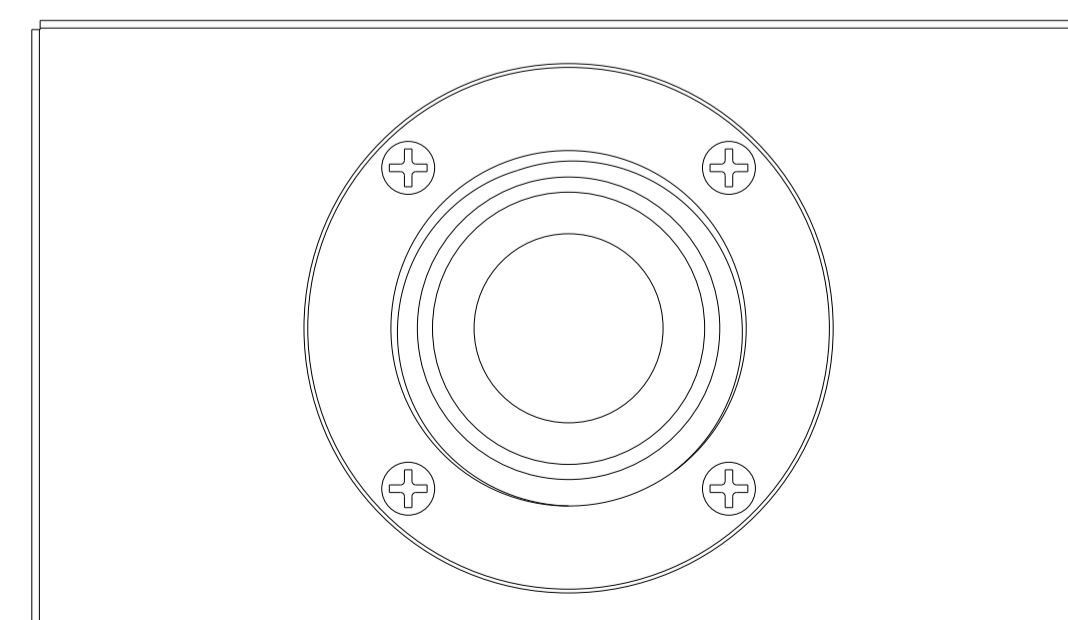
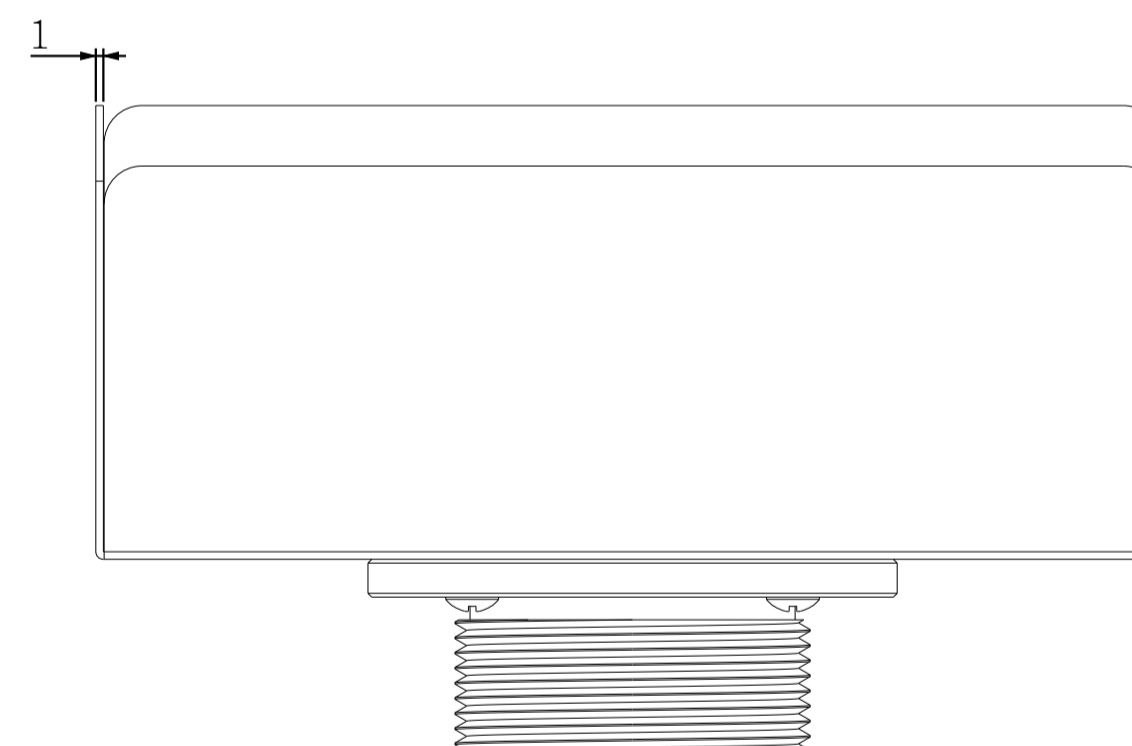
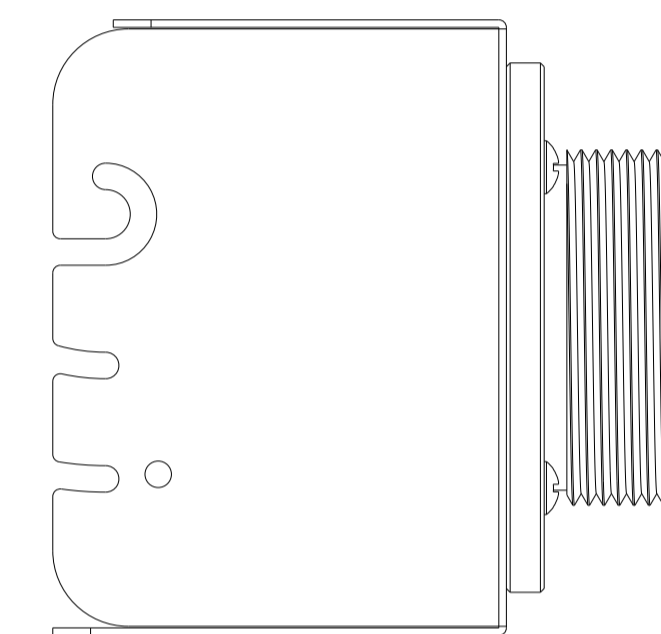
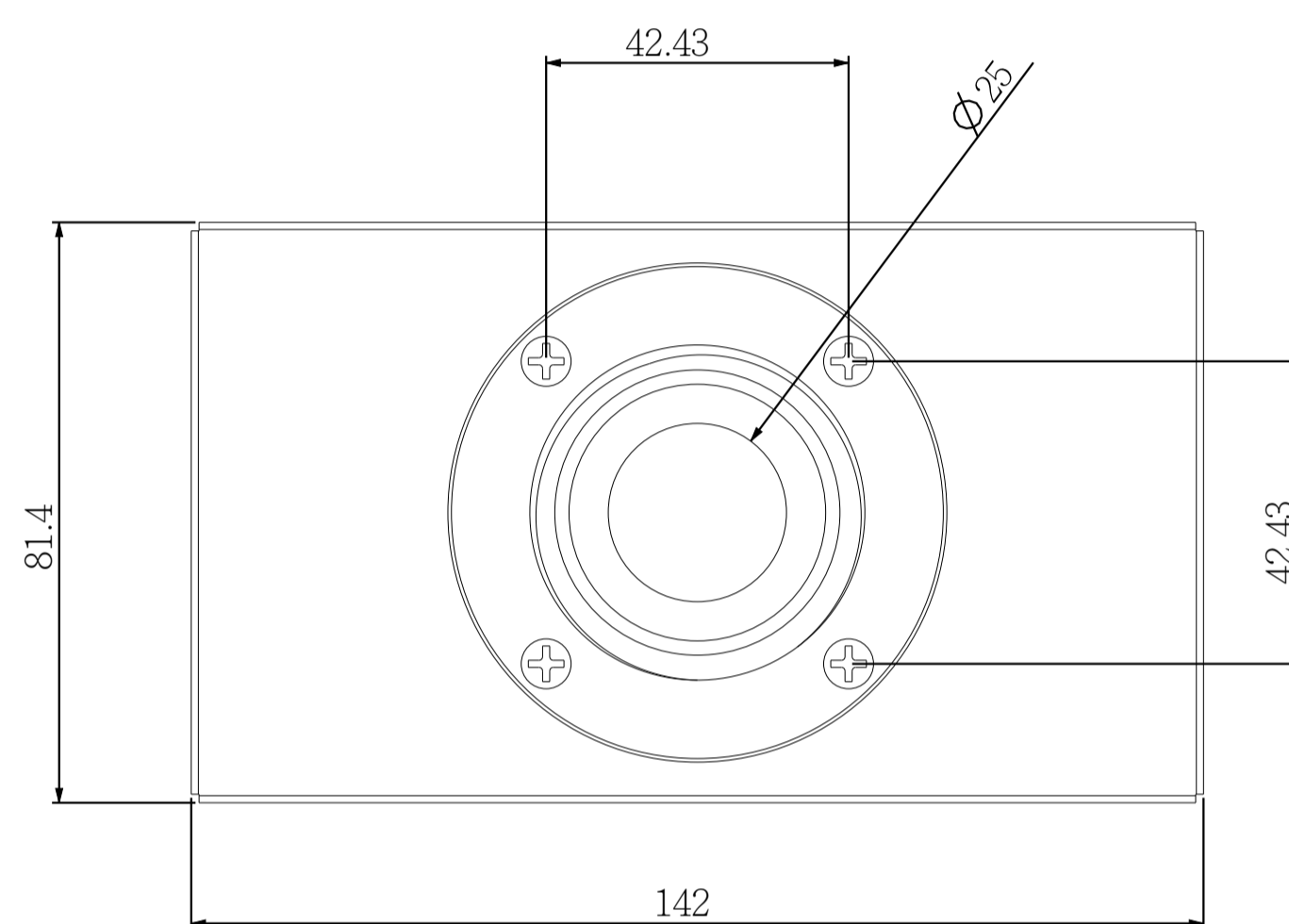
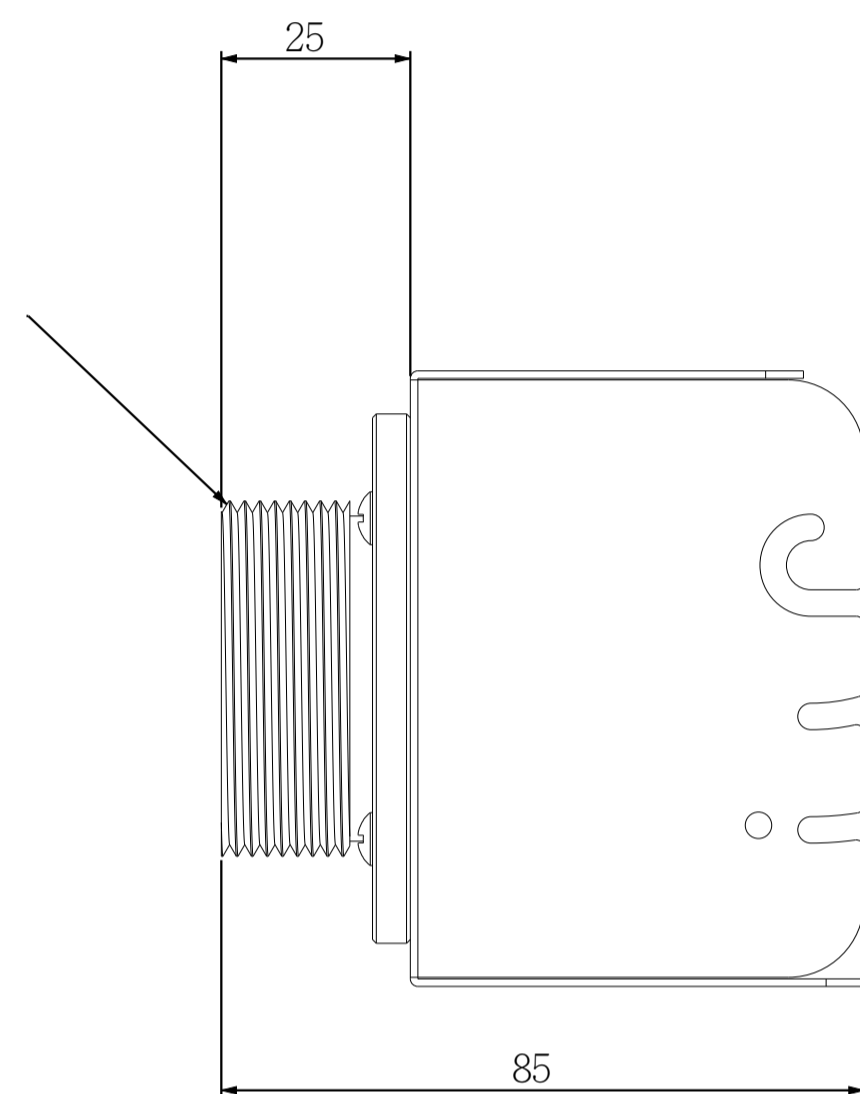
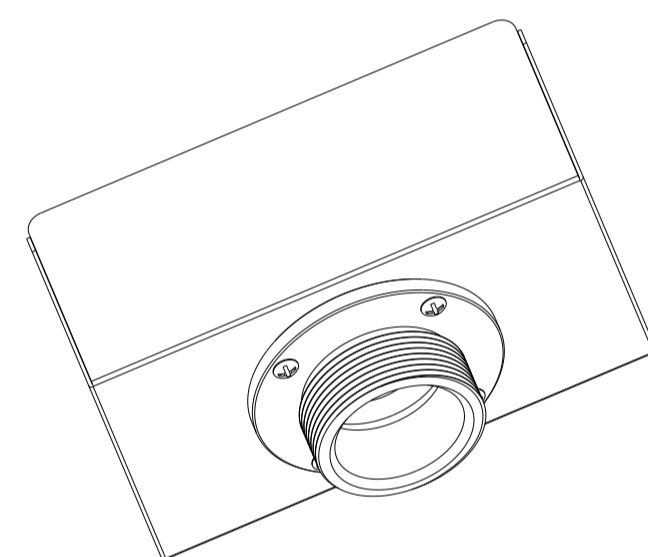
REVISIONS				
REV	DESCRIPTION	POSTED	ENGINEER	DATE
01	New Edition			Aug-17-21



比例 1:2



Tapping-1 1/2 PS11



MATERIAL SPECIFICATION				MATERIAL SPECIFICATION			
Spec	Unit	Min	Max	Spec	Unit	Min	Max
DR	mm	0.01	0.02	DR	mm	0.01	0.02
CH	mm	0.01	0.02	CH	mm	0.01	0.02
MTL	mm	0.01	0.02	MTL	mm	0.01	0.02
FINISH	mm	0.01	0.02	FINISH	mm	0.01	0.02

VIVOTEK		PART NO.	
A DELTA GROUP COMPANY		Double	
MODEL		AM-1HSCH350	
DESCRIPTION		AM-1HS_ASM	
M.T.L.		ISSUE DATE	
FINISH		Aug-17-21	
CP12-W1-014-01-7		REVISION	
SIZE		UNIT	
A1		mm	
SHEET		1 OF 1	